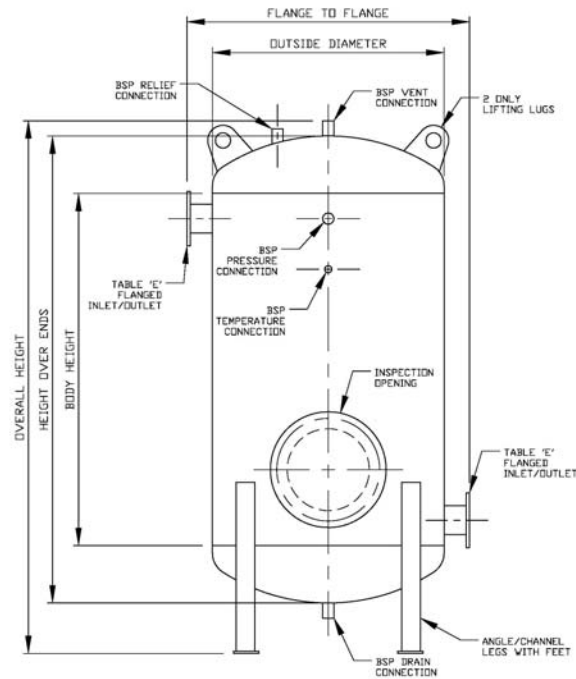
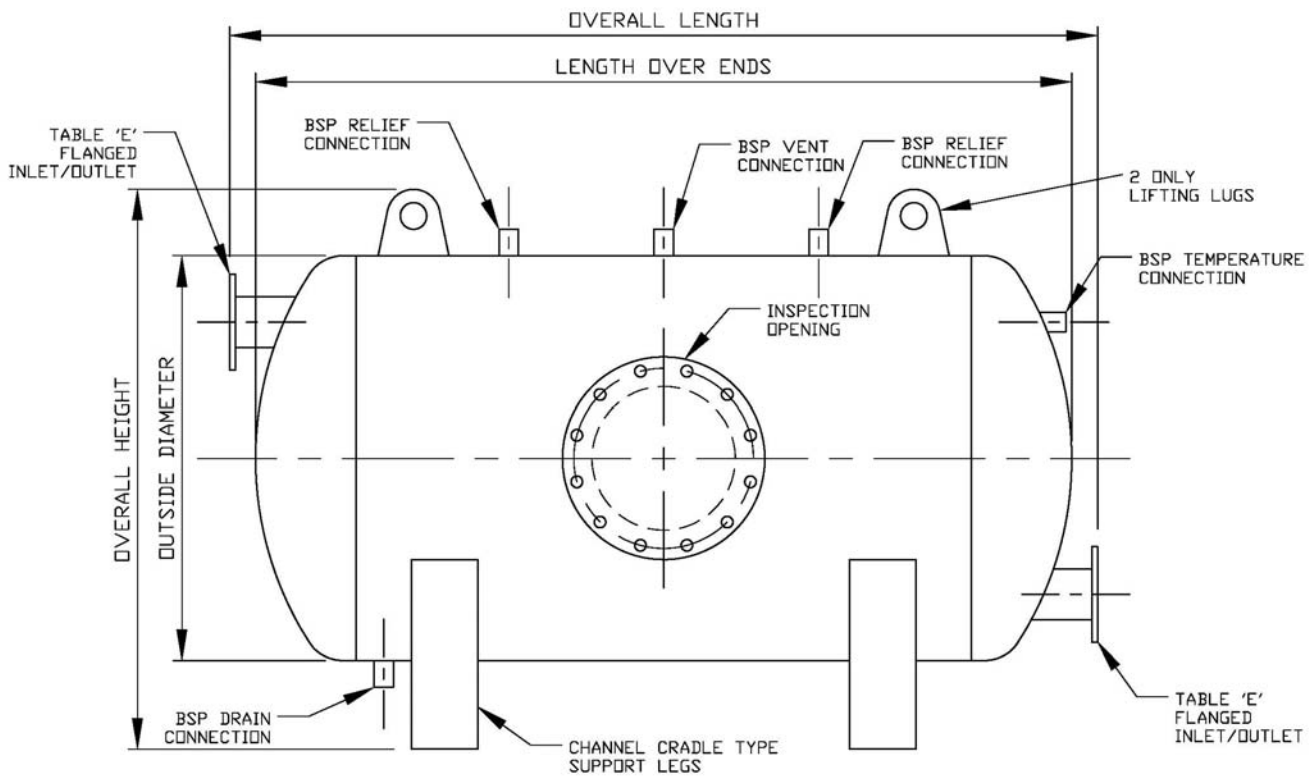


Standard Buffer Tanks



Standard Vertical Vessels										
Capacity (Litres)	500	1000	1500	2000	2500	3000	4000	5000	7500	10000
Model No.	SV500	SV1000	SV1500	SV2000	SV2500	SV3000	SV4000	SV5000	SV7500	SV10000
Outside Diameter (mm)	762	914	1066	1220	1220	1370	1520	1520	1820	2286
Flange to Flange (mm)	962	1114	1266	1420	1420	1570	1720	1720	2020	2486
Height Over Ends (mm)	1340	1850	1955	2000	2450	2350	2550	3120	3280	3000
Overall Height (mm)	1600	2110	2215	2260	2710	2610	2810	3380	3540	3260

Standard Vertical Low Profile (For Height Restricted Plantrooms)							
Capacity (Litres)	1500	2000	2500	3000	4000	5000	7500
Model No.	SVLP1500	SVLP2000	SVLP2500	SVLP3000	SVLP4000	SVLP5000	SVLP7500
Outside Diameter (mm)	1220	1370	1370	1520	1820	1820	2004
Flange to Flange (mm)	1420	1570	1570	1720	2020	2020	2204
Height Over Ends (mm)	1562	1670	2020	1990	1920	2300	2780
Overall Height (mm)	1822	1930	2280	2250	2180	2560	3040



Standard Horizontal Vessels										
Capacity (Litres)	500	1000	1500	2000	2500	3000	4000	5000	7500	10000
Model No.	SH500	SH1000	SH1500	SH2000	SH2500	SH3000	SH4000	SH5000	SH7500	SH10000
Outside Diameter (mm)	762	914	1066	1220	1220	1370	1520	1520	1820	2286
Overall Height (mm)	1112	1264	1416	1570	1570	1720	1870	1870	2170	2636
Length Over Ends (mm)	1340	1850	1955	2000	2450	2350	2550	3120	3280	3000
Overall Length (mm)	1540	2050	2155	2200	2650	2550	2750	3320	3480	3200